



Part no.: 424423
BT-2SB10-S
Mounting bracket set

Figure can vary

Contents

- Technical data
- Dimensioned drawings



Part no.: 424423 – BT-2SB10-S – Mounting bracket set

Technical data

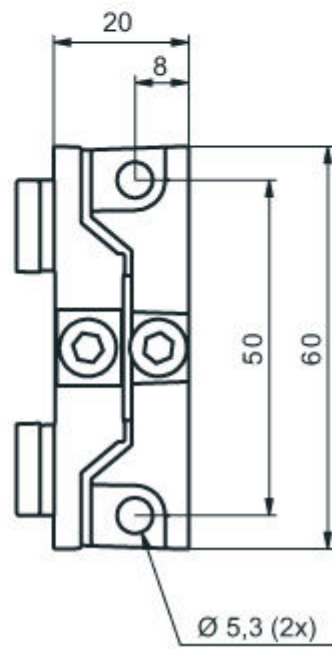
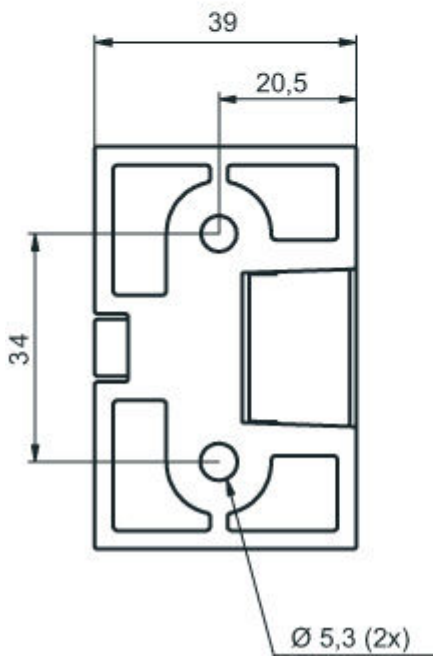
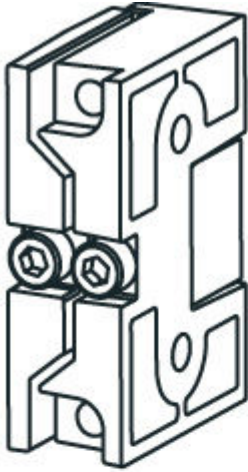
Basic data	
Contains	2x BT-SB10-S
Suitable for	MLC 500, MLC 300 safety light curtains CSL 710 light curtains CML700i light curtains Especially for devices with large protective field height

Mechanical data	
Design of mounting device	Mounting clamp
Type of fastening, at system	Through-hole mounting
Type of fastening, at device	On the lateral C-groove Clampable
Swivel range	-8 ... 8 °
Mounting device material	Metal

Classification	
eCl@ss 8.0	27279202
eCl@ss 9.0	27273701

Dimensioned drawings

All dimensions in millimeters



Mounting variants

